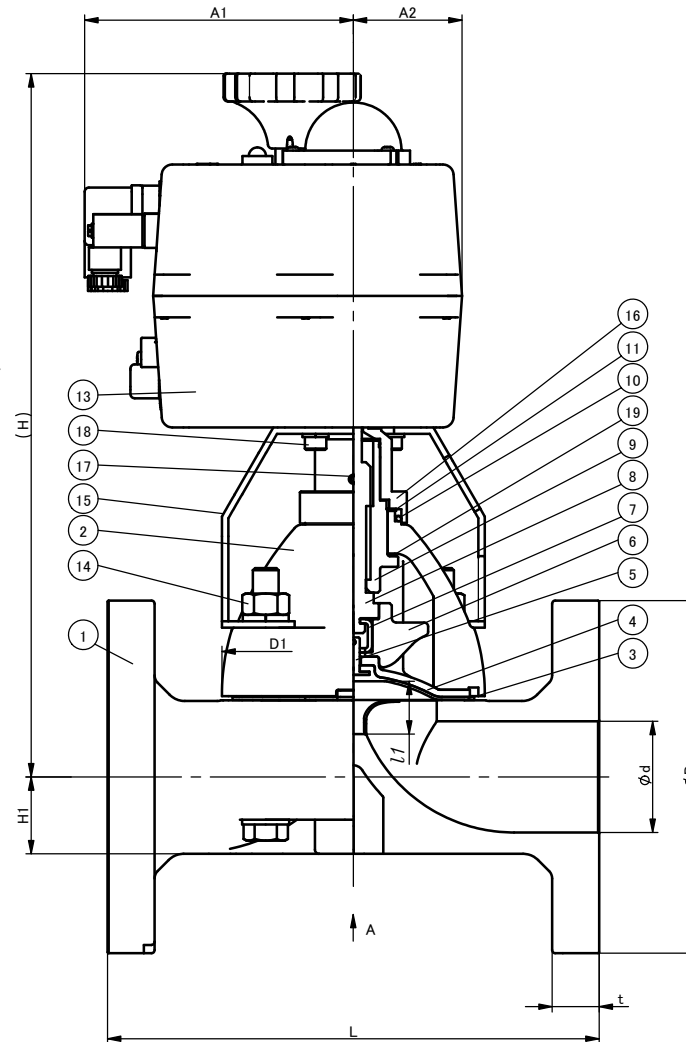
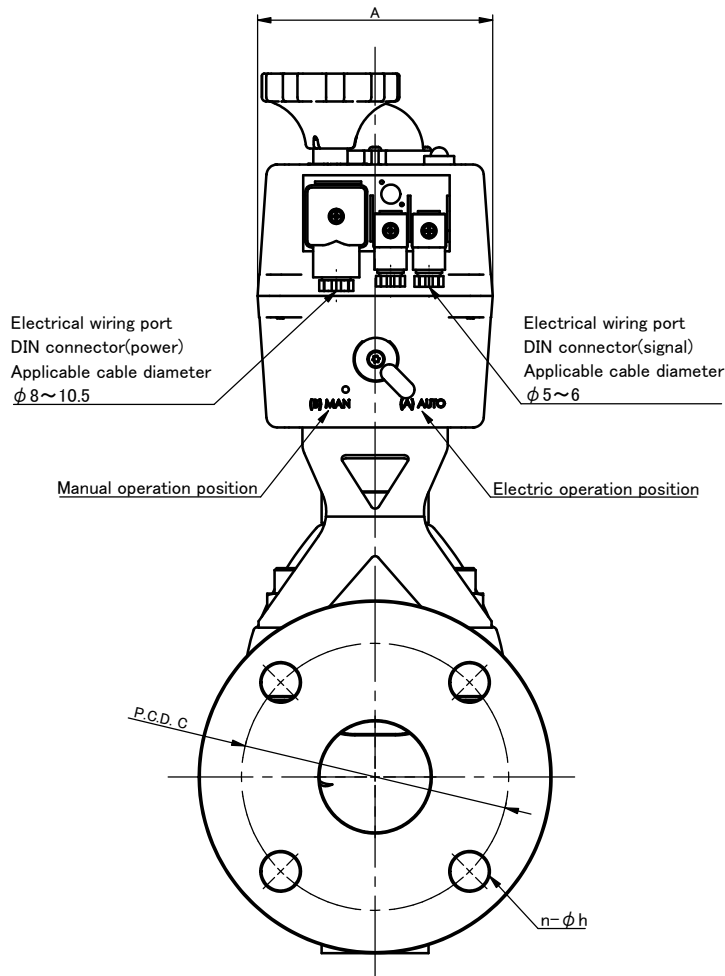
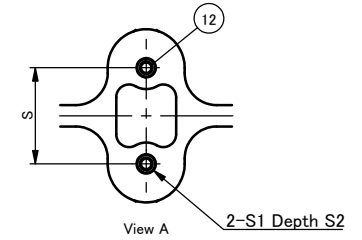


DIMENSIONS TABLE

UNIT: mm

NOMINAL SIZE		DIN PN10					D1	L	t	L1 (LIFT)	H	H1	A	A1	A2	S	S1	S2	ACTUATOR TYPE
d	D	C	n	h															
15mm	1/2"	16	95	65	4	14	54 × 66	130	12	10	265.7	19.5	110	130	51	25	M5	10	J4M-S6
20	3/4	20	105	75	4	14	54 × 66	150	13	10	267.7	17.5	110	130	51	25	M5	10	J4M-S6
25	1	25	115	85	4	14	67 × 80	160	13	12	275.2	18.5	110	130	51	25	M5	10	J4M-S6
32	1 1/4	32	140	100	4	18	67 × 80	180	16	12	277.5	22.5	110	130	51	25	M5	10	J4M-S6
40	1 1/2	40	150	110	4	18	108 × 108	200	20	21	318.5	27.5	110	130	51	45	M6	14	J4M-S10
50	2	52	165	125	4	18	123 × 123	230	22	25	332.7	36.0	110	130	51	45	M6	14	J4M-S10



NOTE.

The shape and appearance of assembly differ a little with nominal size compared to this drawing.

No.	DESCRIPTION	QTY.	MATERIAL	REMARKS
19	THRUST RING	1	SUS304(STAINLESS STEEL)	
18	BOLT	4	SUS304(STAINLESS STEEL)	
17	SCREW	2	SUS304(STAINLESS STEEL)	
16	JOINT	1	SUS304(STAINLESS STEEL)	
15	STAND	1	SUS304(STAINLESS STEEL)	
14	BOLT·NUT	4	SUS304(STAINLESS STEEL)	
13	ACTUATOR	1	POLYAMIDE6 etc.	
12	ENSAT	2	SUS303(STAINLESS STEEL)	
11	THRUST RING	1	UHMW-PE	
10	O-RING	1	EPDM	
9	SLEEVE	1	C3604(COPPER ALLOY)	
8	STEM	1	C3604(COPPER ALLOY)	
7	JOINT	1	SUS304(STAINLESS STEEL)	
6	COMPRESSOR	1	PVDF	
5	INSERTED METAL OF DIAPHRAGM	1	SUS304(STAINLESS STEEL)	
4	CUSHION	1	EPDM	Used for PTFE DIAPHRAGM
3	DIAPHRAGM	1	<input type="checkbox"/> EPDM <input type="checkbox"/> PTFE <input type="checkbox"/> Others ()	
2	BONNET	1	PPG	
1	BODY	1	<input type="checkbox"/> PVC <input type="checkbox"/> C-PVC <input type="checkbox"/> PP <input type="checkbox"/> PVDF	

ITEM	DIAPHRAGM VALVE TYPE 14 ELECTRIC MODEL TYPE J Ass'y Free power supply : AC24-240V DIN PN10 : FLANGED END 15mm (1/2") ~ 50mm (2")		
OPTION: _____			
DRAWN	N. Ito	DATE	SCALE
CHECKED	Y. Sato	Aug. 2, 2024	~
APPROVED	K. Yoshino	DRAWING No. D1-AE011DE	
SPECIAL ORDER No.	ASAHYUKIZAI CORPORATION		