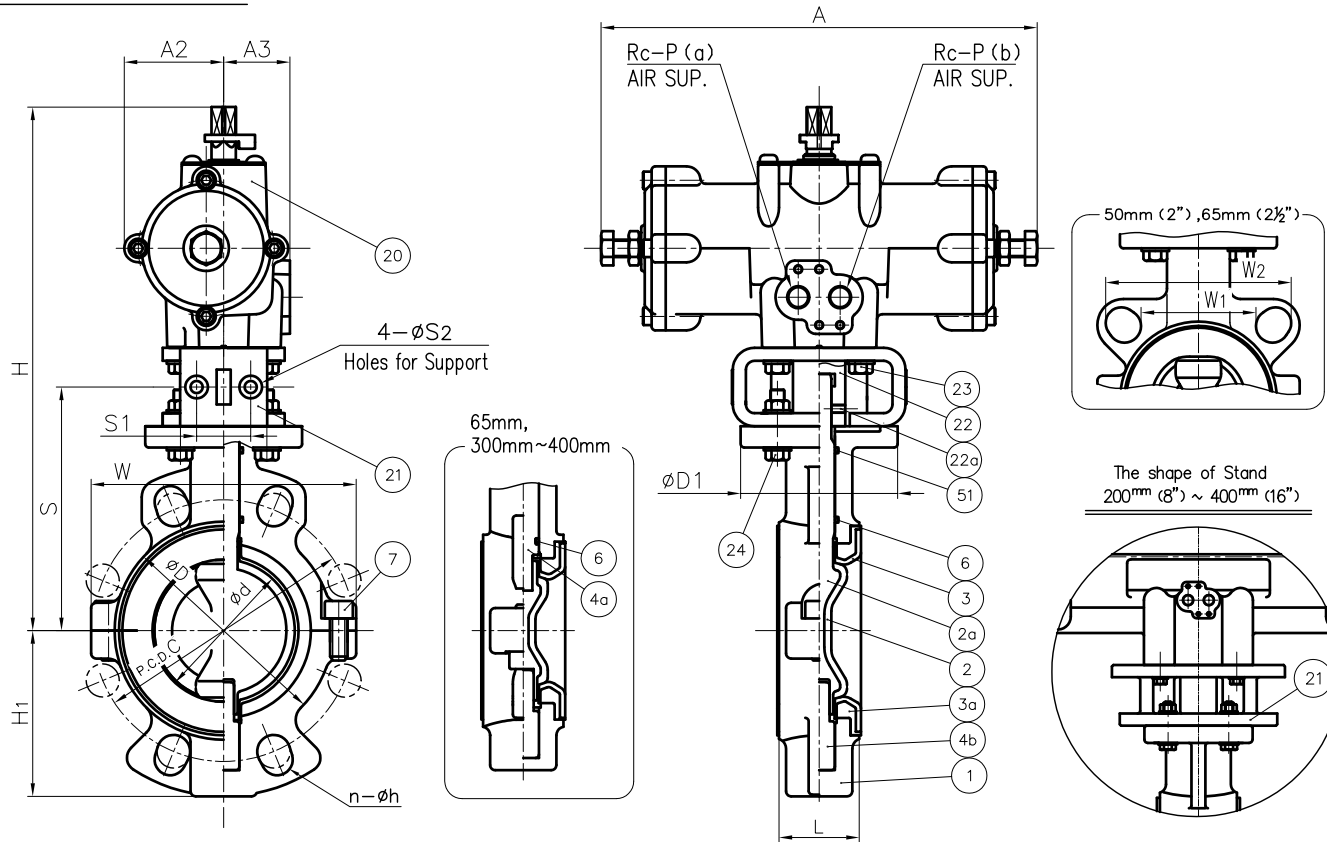


50mm (2") ~ 150mm (6")



- OTE.
1. Operating pressure: 0.4~0.7 MPa G
 2. Valve open : Port (a) Exhaust Port (b) Supply
Valve Shut : Port (a) Supply Port (b) Exhaust
 3. The shape and appearance of assembly differ a little with nominal size compared to this drawing.
 4. Dimensions "L" is equivalent to ISO5752 flangeless (wafer) short.

51	O-RING (B)	1	EPDM	
24	BOLT · NUT (B)	4 Sets	STAINLESS STEEL (SUS304)	
23	BOLT (D)	4	STAINLESS STEEL (SUS304)	
22a	SCREW (B)	1	STAINLESS STEEL (SUS304)	
22	JOINT	1	COPPER ALLOY (C3604)	
21	STAND	1	PPG	Used for Size 50~150mm
			CAST ALUMINUM ALLOY (AC4C)	Used for Size 200~400mm
20	ACTUATOR	1	ALUMINUM ALLOYS DIE CASTINGS (ADC12) etc.	Meramin Baking Coat.
7	BOLT (A)	-	STAINLESS STEEL (SUS304)	Used for Size 50~125mm : 2 150~400mm : 4
6	O-RING (A)	1	EPDM	
4b	STEM (B)	1	STAINLESS STEEL (SUS304)	
4a	STEM (A)	1	STAINLESS STEEL (SUS304)	Used for Size 65mm, 300~400mm
3a	SEAT CUSHION	1	CR	
3	SEAT	1	PTFE	
2a	INSERTED METAL OF DISC	1	STAINLESS STEEL (SUS304)	
2	DISC	1	PTFE	
1	BODY	1	DUCTILE CAST IRON (FCI-S)	Epoxy Powder Coat
No.	DESCRIPTION	QTY.	MATERIAL	REMARKS

DIMENSIONS TABLE

UNIT : mm

NOMINAL SIZE	d	DIN PN10			D	D ₁	L	H	H ₁	W	W ₁	W ₂	A	A ₂	A ₃	S	S ₁	S ₂	P	ACTUATOR MODEL
		C	n	h																
50mm 2"	55	(125)	2 (4)	(18)	90	90	43	268	61	116	66	106	210	46	36	122.5	32	7	1/4	TA2A-050D
65 2½"	65	(145)	2 (4)	(18)	110	90	46	298	80	146	78	121	250	57	38	137.5	32	7	1/4	TA2A-063D
80 3"	80	160	4 (8)	18	125	90	46	302	95	152	-	-	250	57	38	141.5	32	7	1/4	TA2A-063D
100 4"	100	(180)	4 (8)	(18)	154	90	52	351	103	174	-	-	292	71	45	157.5	32	7	1/4	TA2A-080D
125 5"	125	210	4 (8)	18	181	125	56	411	120	206	-	-	362	85.5	57	183.5	42	9	1/4	TA2A-100D
150 6"	150	240	4 (8)	22	211	125	56	428	137	236	-	-	362	85.5	57	200.5	42	9	1/4	TA2A-100D
200 8"	191	295	4 (8)	22	253	125	60	502	163	290	-	-	440	90	60	-	-	-	1/4	TA2A-125D
250 10"	245	350	4 (12)	22	320	125	68	583	200	340	-	-	532	113	68	-	-	-	1/4	TA2A-160D
300 12"	296	400	4 (12)	22	371	180	78	638	230	410	-	-	532	113	68	-	-	-	1/4	TA2A-160D
350 14"	330	460	4 (16)	22	416	180	92	727	255	460	-	-	664	139	85	-	-	-	3/8	TA-200D
400 16"	380	515	4 (16)	26	476	180	102	757	290	532	-	-	664	139	85	-	-	-	3/8	TA-200D

ITEM	BUTTERFLY VALVE (TYPE 55IS) PNEUMATIC MODEL TA TYPE ASSY DOUBLE ACTING DIN PN10 50mm (2") ~ 400mm (16")		
DRAWN	E.Ozaki	DATE	SCALE
CHECKED	H.Kawano	JUL.25.2019	~
APPROVED	K.Koushou	DRAWING No. 55-AA037DE	
SPECIAL ORDER No.	ASAHI YUKIZAI CORPORATION		