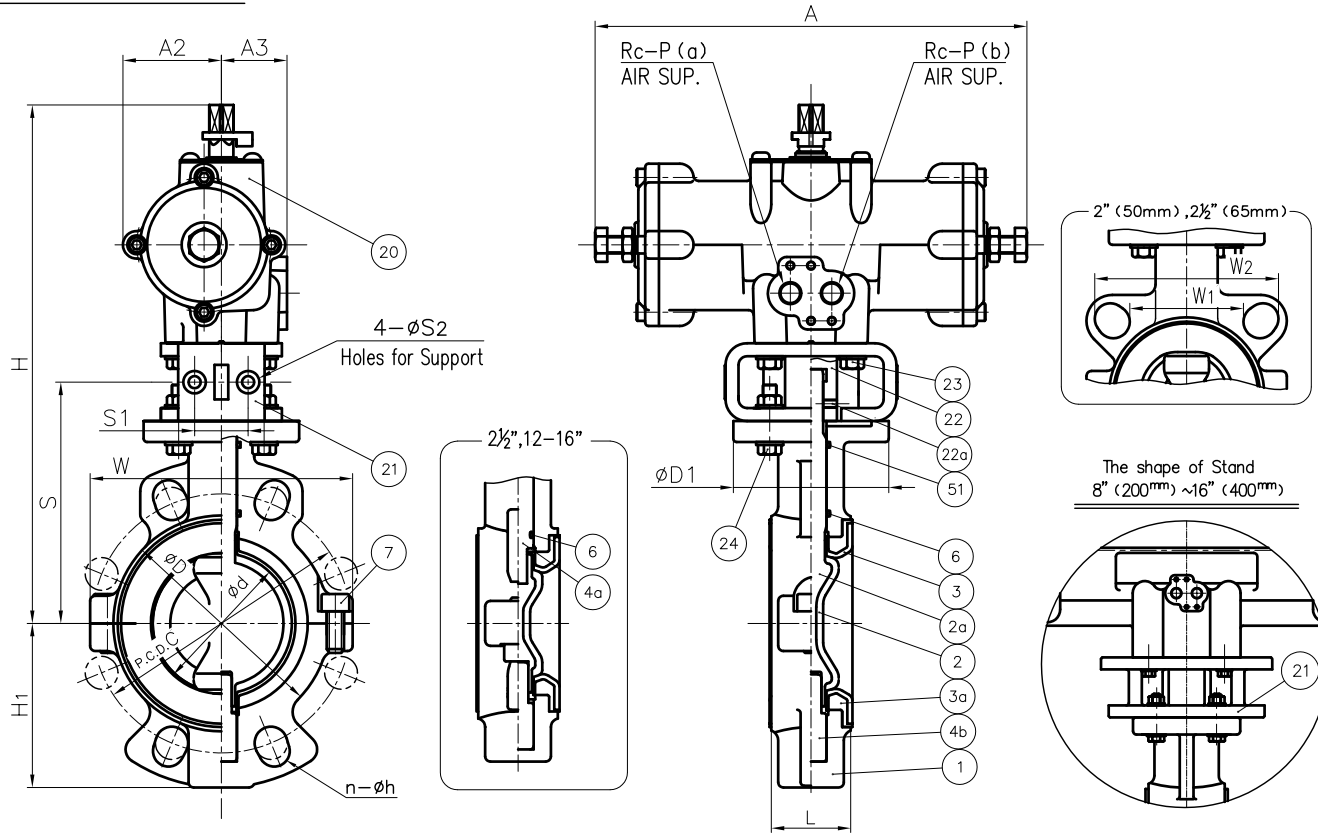


2" (50mm) - 6" (150mm)



- NOTE.
1. Operating pressure: 0.4~0.7 MPa G
  2. Valve open : Port (a) Exhaust Port (b) Supply  
Valve Shut : Port (a) Supply Port (b) Exhaust
  3. The shape and appearance of assembly differ a little with nominal size compared to this drawing.
  4. Dimensions "L" is equivalent to ISO5752 flangeless (wafer) short.

51	O-RING (B)	1	EPDM	
24	BOLT · NUT (B)	4 Sets	STAINLESS STEEL (SUS304)	
23	BOLT (D)	4	STAINLESS STEEL (SUS304)	
22a	SCREW (B)	1	STAINLESS STEEL (SUS304)	
22	JOINT	1	COPPER ALLOY (C3604)	
21	STAND	1	PPG CAST ALUMINUM ALLOY (AC12C)	Used for Size 2-6" Used for Size 8-16"
20	ACTUATOR	1	ALUMINUM ALLOYS DIE CASTINGS (ADC12) etc.	Meramin Baking Coat.
7	BOLT (A)	-	STAINLESS STEEL (SUS304)	Used for Size 2-5" : 2 6-16" : 4
6	O-RING (A)	1	EPDM	
4b	STEM (B)	1	STAINLESS STEEL (SUS304)	
4a	STEM (A)	1	STAINLESS STEEL (SUS304)	Used for Size 2 1/2", 12-16"
3a	SEAT CUSHION	1	CR	
3	SEAT	1	PTFE	
2a	INSERTED METAL OF DISC	1	STAINLESS STEEL (SUS304)	
2	DISC	1	PTFE	
1	BODY	1	DUCTILE CAST IRON (FCD-S)	Epoxy Powder Coat
No.	DESCRIPTION	QTY.	MATERIAL	REMARKS

DIMENSIONS TABLE

UNIT : inch

NOMINAL SIZE	d	ANSI Class 150			D	D1	L	H	H1	W	W1	W2	A	A2	A3	S	S1	S2	P	ACTUATOR MODEL	
		C	n	h																	
2"	50mm	2.17	(4.75)	2 (4)	(0.75)	3.54	3.54	1.69	10.55	2.40	4.57	2.60	4.17	8.27	1.81	1.42	4.82	1.26	0.28	1/4	TA2A-050D
2 1/2"	65	2.56	(5.50)	2 (4)	(0.75)	4.33	3.54	1.81	11.73	3.15	5.75	3.07	4.41	9.84	2.24	1.50	5.41	1.26	0.28	1/4	TA2A-063D
3	80	3.15	(6.00)	- (4)	(0.75)	4.92	3.54	1.81	11.89	3.74	5.98	-	-	9.84	2.24	1.50	5.57	1.26	0.28	1/4	TA2A-063D
4	100	3.94	7.50	4 (8)	0.75	6.06	3.54	2.05	13.82	4.06	6.85	-	-	11.50	2.80	1.77	6.20	1.26	0.28	1/4	TA2A-080D
5	125	4.92	8.50	4 (8)	0.88	7.13	4.92	2.20	16.18	4.72	8.11	-	-	14.25	3.37	2.24	7.22	1.65	0.35	1/4	TA2A-100D
6	150	5.91	9.50	4 (8)	0.88	8.31	4.92	2.20	16.85	5.39	9.29	-	-	14.25	3.37	2.24	7.89	1.65	0.35	1/4	TA2A-100D
8	200	7.52	11.75	4 (8)	0.88	9.96	4.92	2.36	19.76	6.42	11.42	-	-	17.32	3.54	2.36	-	-	-	1/4	TA2A-125D
10	250	9.65	14.25	4 (12)	1.00	12.60	4.92	2.68	22.95	7.87	13.39	-	-	20.94	4.45	2.68	-	-	-	1/4	TA2A-160D
12	300	11.65	17.00	4 (12)	1.00	14.61	7.09	3.07	25.18	9.06	16.14	-	-	20.94	4.45	2.68	-	-	-	1/4	TA2A-160D
14	350	12.99	18.75	4 (12)	1.12	16.38	7.09	3.62	28.62	10.04	18.11	-	-	26.14	5.47	3.35	-	-	-	3/8	TA-200D
16	400	14.96	(21.25)	4 (16)	(1.12)	18.74	7.09	4.02	29.80	11.42	20.94	-	-	26.14	5.47	3.35	-	-	-	3/8	TA-200D

ITEM	BUTTERFLY VALVE (TYPE 55S) PNEUMATIC MODEL TA TYPE ASS'Y DOUBLE ACTING ANSI Class 150 2" (50mm) ~ 16" (400mm)		
DRAWN	E.Ozaki	DATE	SCALE
CHECKED	H.Kawano	JUL.25.2019	~
APPROVED	K.Koushou	DRAWING No.	
		55-AA037AE	
SPECIAL ORDER No.	ASAHI YUKIZAI CORPORATION		